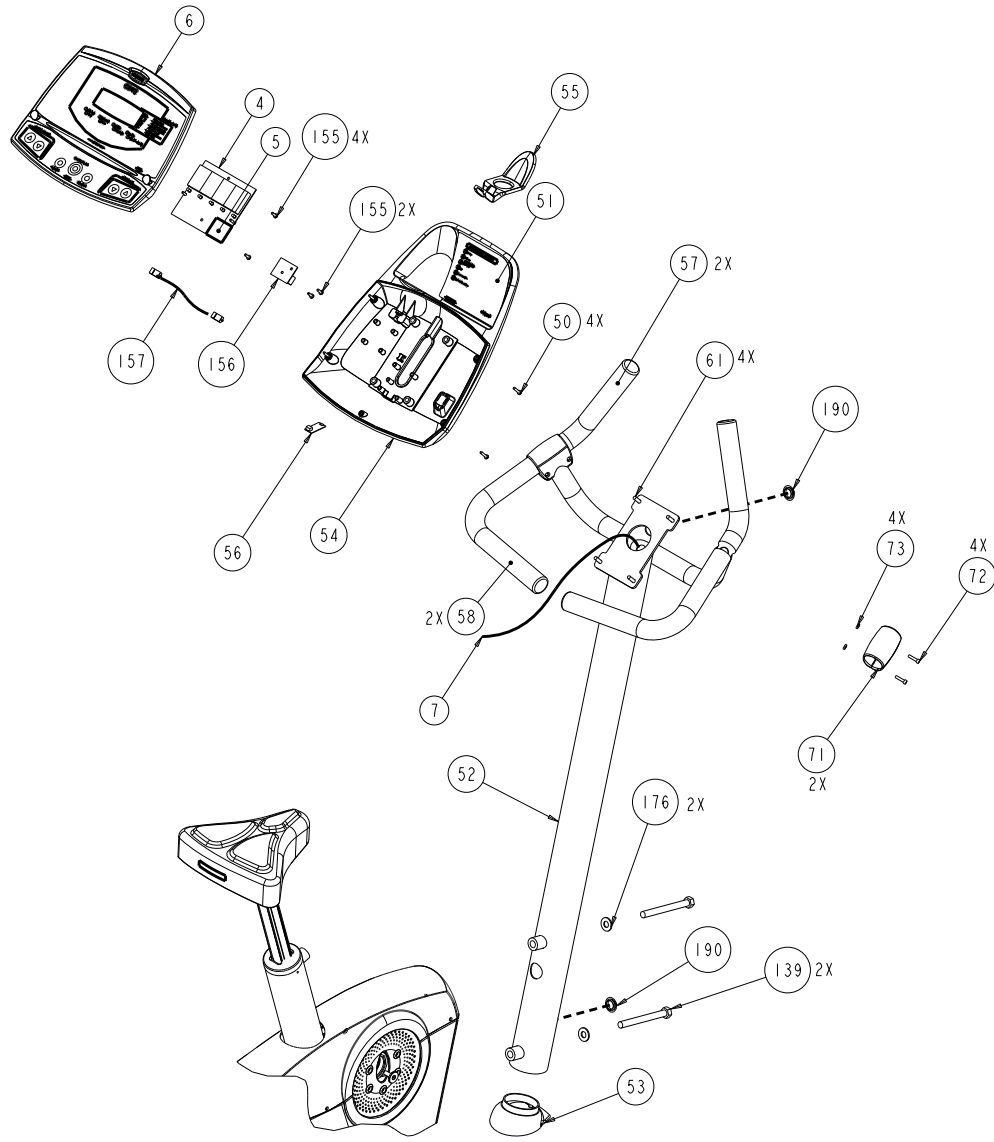
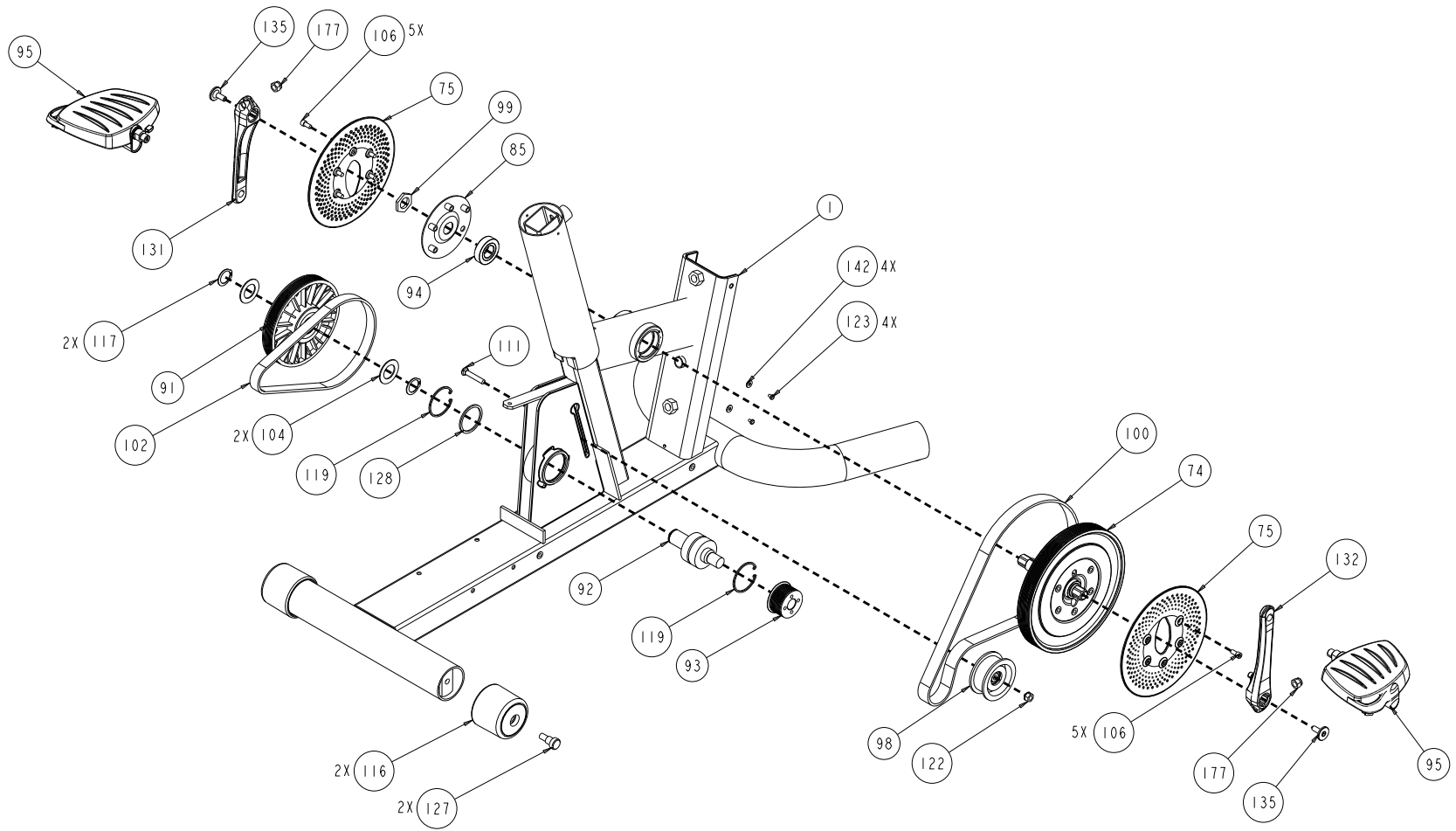


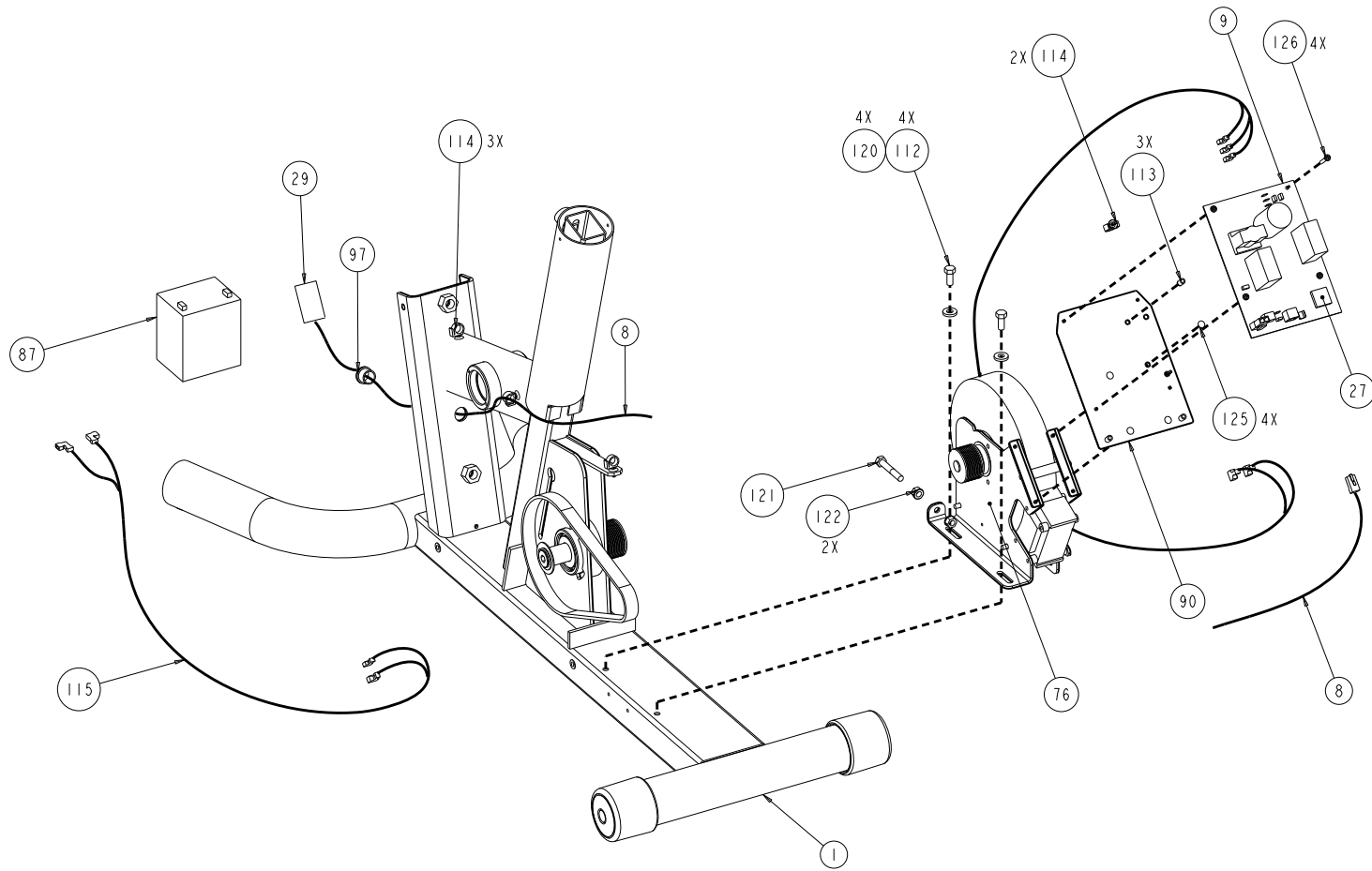
C842 UPRIGHT	P/N 45922-101	REV: M03
DRAWN BY: C THOMSON	DATE: 18 NOV 2009	SHEET 1 OF 6



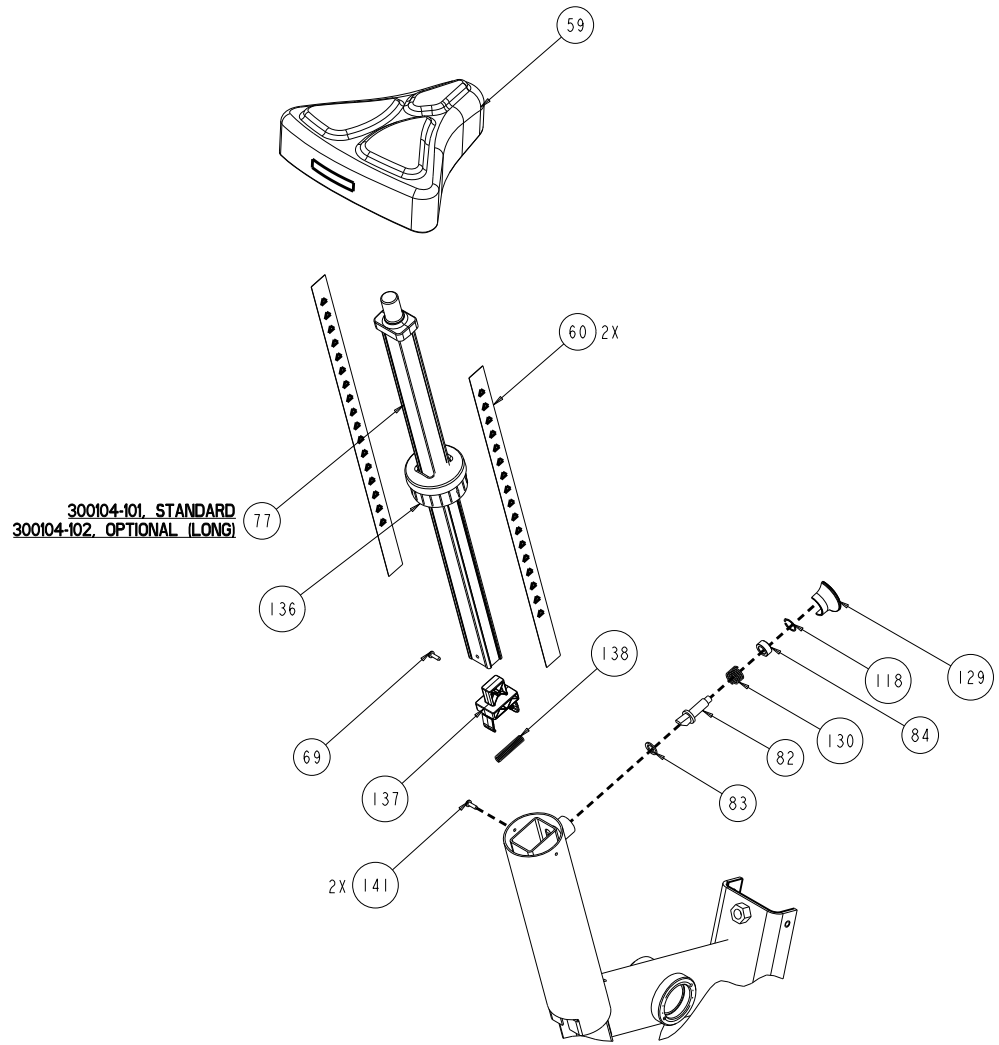
C842 UPRIGHT	P/N 45922-101	REV: M03
DRAWN BY: C THOMSON	DATE: 18 NOV 2009	SHEET 2 OF 6



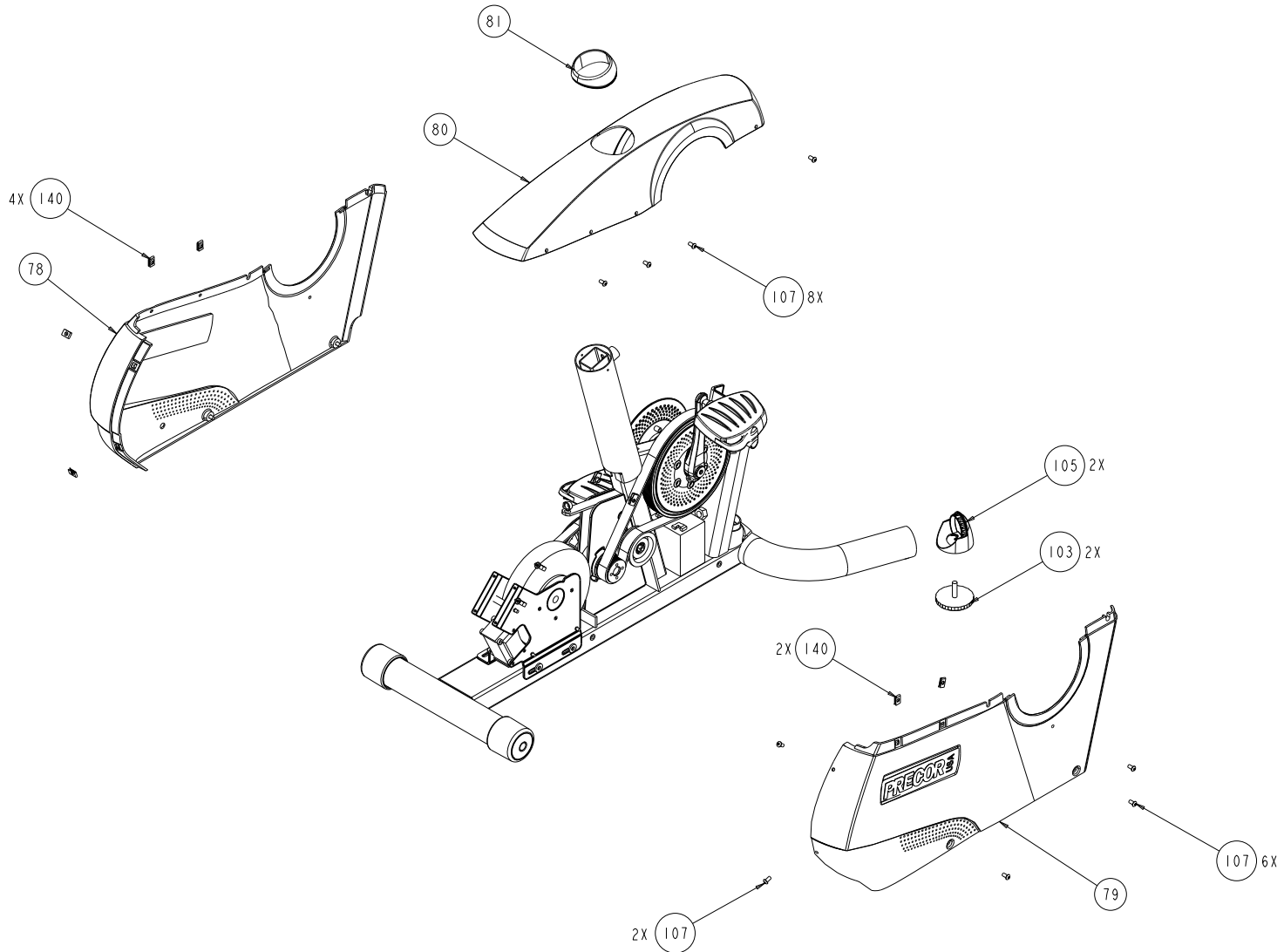
C842 UPRIGHT	P/N 45922-101	REV: M03
DRAWN BY: C THOMSON	DATE: 18 NOV 2009	SHEET 3 OF 6



C842 UPRIGHT	P/N 45922-101	REV: M03
DRAWN BY: C THOMSON	DATE: 18 NOV 2009	SHEET 4 OF 6



C842 UPRIGHT	P/N 45922-101	REV: M03
DRAWN BY: C THOMSON	DATE: 18 NOV 2009	SHEET 5 OF 6



C842 UPRIGHT	P/N 45922-101	REV: M03
DRAWN BY: C THOMSON	DATE: 18 NOV 2009	SHEET 6 OF 6

C842 (upright) (serial code NK, P5, TJ)

Part Number	Description	Bubble Number
45402-106	WELDMENT,FRAME,842/846U,PT	1
38943-103	PCA,DISPLAY,D2S	4
45483-201	ASSY,PCA&SW,C842,SELF PWR,UPR	4.01
45482-201	PROM,PGMD,C842I,SELF PWR,UPR,V2.01	5
45713-101	DISPLAY, ASSEMBLY, EN,C842	6
44905-048	ASSY,CBL,MOD,8P8C,1-1,SILVER,48"	7
44905-042	ASSY,CBL,MOD,8P8C,1-1,SILVER,42"	8
45476-106	ASSY, LOWER PCA & SW, SELF POWER BI	9
45475-211	CPU, PGMD, BIKE, SELF POWER 3-PHASE	27
11415-102	COUPLER,MOD,8P8C,INLINE,SNAP-IN	29
43179-103	BACKPLATE, DISPLAY, COMMERCIAL, CHA	51
45711-101	LABEL, ACCESSORY TRAY,EN, 842	51
45419-103	WELDMENT, DISPLAY SUPPORT, C842/C84	52
45512-101	SWEAT BIB	53
43329-102	WIRE FORM,PLASTIC,COMMERCIAL	55
49725-101	RECEIVER, WIRELESS, HEART RATE, HIG	56
38580-109	GRIP,HANDLEBAR,10.25" LONG	57
38580-102	GRIP,HANDLEBAR	58
38649-101	SEAT,846I/842I UPRIGHT	59
45523-101	LABEL, UPRIGHT, SEAT POST POSITION	60
300019-101	LABEL, UPRIGHT, SEAT POST POSITION,	60
TAKN025-100	SCREW,BTHD,1/4-20X1,BLK ZN	61
PMTN016-050	SCREW,TCS,#8X1/2,PHIL,BLK SHARPERIZ	69
40056-101	COVER, HANDLEBARS, 846 UPRIGHT	71
CDNN019-075	SCREW, SKHD,10-32 X 3/4 ,SS,LK	72
KBANN019-013	NUT,HEX,10-32,STAINLESS	73
45439-104	ASSY,CRANK, INPUT,INTEGRATED BEARIN	74
45747-101	CRANK COVER, SELF-POWERED BIKE	75
45436-101	ASSEMBLY,SP,GENERATOR,BIKE	76
300104-101	ASSY, SEAT POST WELDMENT WITH EMBOS	77
49308-103	ASSEMBLY, COVER W/LABELS,BIKE,LEFT,	78
49308-104	ASSEMBLY, COVER W/LABELS,BIKE,RIGHT	79
45510-101	COVER, TOP, BIKE, UPRIGHT	80
45513-101	BOOT, SEAT POST	81
50999-104	KIT,SEAT POST ADJUST PIN	82
45525-101	PAD,SEAT POST,ADJUST PIN	84
45842-101	ASSY, LOCKRING, SELF-POWERED BIKE	85
46983-101	BRACKET, BATTERY, SELF POWERED BIKE	86
12258-040	BATTERY,SLA,12V,4AH,.187 TABS	87
45438-101	BRACKET,BOARD, SELF POWERED, BIKE	90
58025-101	CS KIT, SECONDARY SHEAVE/AXLE 84X/8	91
45450-105	SHEAVE, SECONDARY AXLE	93
45441-105	INTEGRATED ACORN NUT, BEARING,BALL,	94
58017-102	PEDAL KIT, RIGHT AND LEFT	95
46824-101	STRAP, PEDAL,846/842	95.01
10178-102	BUSHING, SNAP (SB-750-625)	97
46825-101	PULLEY,IDLER,FLANGED	98
45445-101	NUT, CEASE, CRANK	99
10217-137	BELT, DRIVE, 420J10 POLY V	100

10217-136	BELT, DRIVE, POLY V 260J8	102
39916-103	FOOT, ADJUSTING,NO LOGO	103
12089-103	26MM THRUST BEARING IGUS,LTM-2644-0	104
45743-101	COVER, ADJUSTABLE FOOT, 842/846	105
CATN025-075	SCREW,SKHD,1/4-20 X 3/4,BLK SHARPER	106
PADCN019-038	SCREW,S/T,#10-32X3/8,WSHHXHD,ZN TRI	108
BACN031-175	BOLT, CARRIAGE, 5/16-18 X 1.75	111
WBANN034-013	WASHER,FLAT,ID=1 1/32,OD3/4,TH=.125,	112
12289-806	SPCR,SELFRETAIN,NYLN,#8(M-4),3/8"	113
12414-101	CABLE CLAMP INSERT,SNAP IN	114
45250-040	ASSY,CBL,2C,18AWG,QK DISC,40"	115
45742-101	WHEEL,846/842	116
ABHN025-002	RING, RETAINING, 25MM EXTERNAL	117
ADHN052-002	RING, RETAINING, INTERNAL (52MM)	119
HEWN031-075	SCREW,HEXHD,5/16-18X.75LG,GR8,YZN	120
HJCN031-200	SCREW,HEX,5/16-18X2.0 ,ZINC,FULLY T	121
KGCN031-027	LOCKNUT,STARWASHER,5/16-18,1/2	122
MGCN016-025	SCREW,MCH,8-32X1/4,PANHD,PHIL,	123
PGKN016-050	SCREW,S/T,#8X1/2,TRS,PHIL,BLK	125
RATN038-050	SCREW,SHLD,3/8 X 1/2 ,HEXSC,BLK SH	127
WAKNN044-004	WASHER, WAVE, SSB-0205	128
10231-125	SPRING,COMP, .716 OD X .75 L X .042	130
49020-101	CRANK, LH, SP BIKE,PRESS FIT	131
49020-102	CRANK, RH, SP BIKE,PRESS FIT	132
45838-102	SCREW, CUSTOM, CRANK, M8 X 18L, SOC	134
45838-101	SCREW, CUSTOM, CRANK, M8 X 22L, SP	135
38650-103	CAP, SEAT POST, C846U (MACHINED),ST	136
45514-101	BEARING,SEAT POST	137
10231-128	SPRING,COMPRESSION,.420 X 1.75 X .0	138
HCTN050-500	SCREW,HEX,GR5,1/2-13X5,BLK SHARPERI	139
12577-101	MULTI-THREAD U-NUT 1/4-20 ITW CIP	140
45494-102	PCA,CSAFE POWER ACCESS	156
44905-012	ASSY,CBL,MOD,8P8C,1-1,SILVER,12"	157
TATN031-175	SCREW,BTHD,5/16-18X1-3/4,BLK SHARPE	160
WBZN050-008	WASHER, FLAT,1/2,.086 BLK CVS	176
10136-102	CLIP,U TYPE, TINNEMAN, 1/4-20	177
47718-101	HOLE PLUG, PLASTIC .875 X.03-.08	190
45716-101	KIT,HARDWARE,C846I/C842I	200
50999-104	KIT,SEAT POST ADJUST PIN	201
58020-102	C842, C846V2, 120V POWER SUPPLY OPT	205
58022-102	CRANKARM REPLACEMENT KIT	250